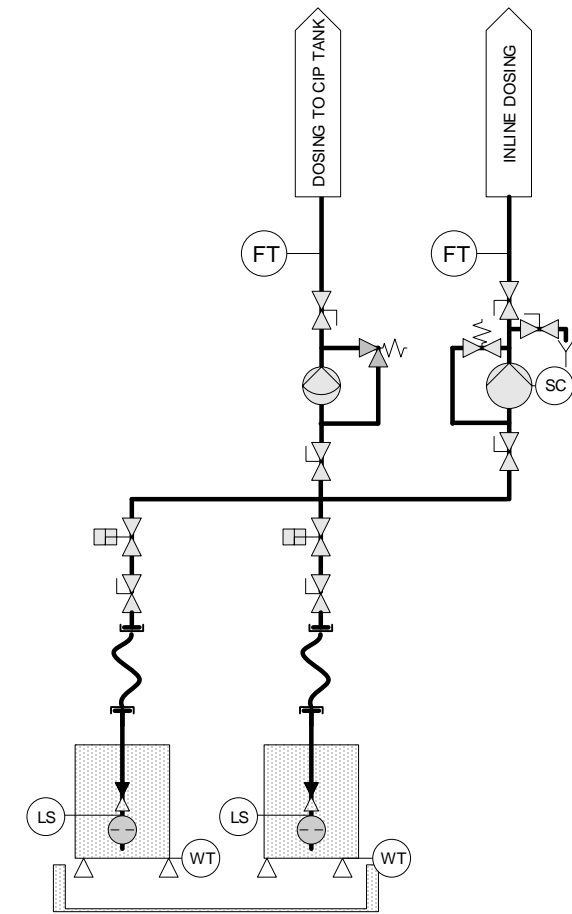


CONCENTRATED CHEMICALS, RECEPTION, STORAGE AND DISTRIBUTION



CHEMICAL DOSING PLANT FROM IBC

**NOTE:**

TENDER

- By Contractor
- By Carlsberg
- Existing equipment to be modified by Contractor

Carlsberg TWM



WASTE WATER TREATMENT AND WATER RECOVERY PLANT  
CHEMICALS HANDLING

Job No.: 10403882  
 Drawn by: MHOL  
 Scale: 2019-11-22  
 Approved by: MHOL  
 Date: 2019-11-22  
 Rev.: 0

**NIRAS**  
 NIRAS A/S | Sortemosevej 19 | 3450 Allerød | Denmark  
 Tel. +45 4810 4200 | www.niras.dk

10403882-T-PBD-002 0